

■ TJB-12/15

■ Isolation Transformer Base



## Compliance with Standards

FAA: AC 150/5345-42

NATO: STANG 3346

## Application/Use

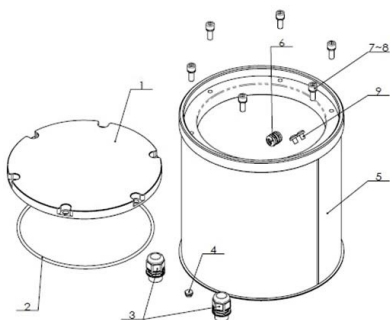
Installation of isolation transformers

## Features

- Transformer housing formed by extrusion molding of premium aluminum alloy material
- Housing and cover plate sealed by premium sealing material, incoming lines connected to standard waterproof cable connector with reliable sealing property, which is easier to maintain
- Made of anti-corrosion aluminum with prior preservative treatment, durable in use
- It can be connected to different cable protecting tubes
- Cable sealing separate from protective tubes, which reduces the construction difficulty
- 12-inch housing compatible with standard 12-inch flange, on which elevated lights can be mounted

## Construction

The product is comprised of cover plate and box.



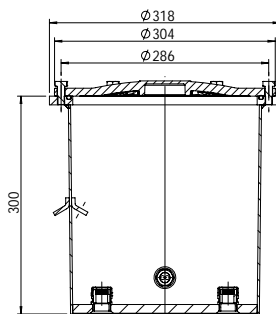
1. Cover Plate    2. "O" Seal Ring    3. Metal Cable Gland  
4. Screw-plug Metal Head    5. Box    6. Metal Cable Gland

## Ordering Information

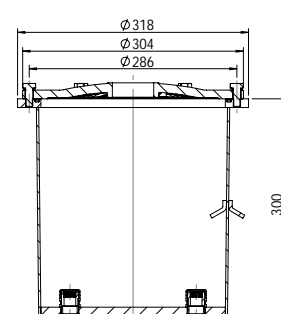
Type \_\_\_\_\_ TJB - XX - X/X  
 TJB = Isolation transformer box  
 Size \_\_\_\_\_  
 12 = 12" 15 = 15"  
 Thread hole position \_\_\_\_\_  
 X/X: Primary /Secondary Cable Outlet  
 B: Bottom  
 S: Side

\* Detail information should be provided if any special requirements.

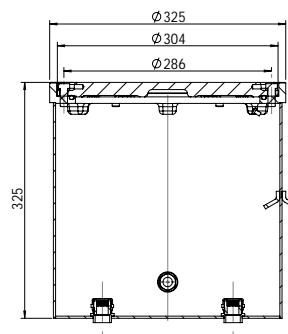
## Installation



L-867 12 Inch Non-Load Bearing Base Type I Without G2 Tapping Hole



L-867 12 Inch Non-Load Bearing Base Type II With G2 Tapping Hole



L-868 12 Inch Load Bearing Base

TJB-12/15

1  
2

■ TJB-12/15

■ Isolation Transformer Base

## Environment

Lower than an altitude of 4000 meters

Outside: -40℃ -+65;

Relative Air Humidity: 95%; The maximum humidity can be over 100% when the temperature is over 24.5℃;

Rain, snow, ice, sunshine, water;

Corrosive salt fog;

Seismic basic intensity VII.

## Order

No.	Name	Order No.	Remark
1	Cover Plate	41802	
2	“O” Seal Ring 259.3×5.7	41115	
3	Metal Cable Gland M25×1.5	CMA25-18	
6	Metal Cable Gland M20×1.5	48401	
	Flange 304-286-6	27686	in place of cover plate, used for non-bearing