

## **8 Inches In-pavement LED Lighting Fixtures (6mm)**

**Runway Centerline Light, In-pavement Runway End Light, Rapid Exit Taxiway**

**Indicator Light and Runway Touchdown Zone Light**

**RCLS-08-LED, ENDS-08-LED, RAPS-08-LED, and TDZS-08-LED**

### **Operation Manual**



Please read this manual carefully before construction, installation and operation of the product  
Please keep this manual properly for further reference

This manual is subject to change without prior notice

Airsafe Airport Equipment Co., Ltd.

## Revision Description

No.	Description	Version No.	Revised by	Approved by	Date
1	First Release	V1.0	Y.MZ	C.SY	Aug.11,2016

## Table of Content

1.0 Foreword.....	1
1.1 Illustrations and Meanings .....	2
1.2 Safety Rules and Notices .....	3
1.3 Quality Assurance and Responsibility .....	4
2.0 Introduction.....	5
2.1 Design Specification:.....	8
2.2 Application Environment .....	8
2.3 Application Scope.....	9
2.4 Technical Parameters .....	9
2.5 Technical Features .....	10
2.6 Structure.....	11
2.7 Fault Detection or Lamp Bypass Functions .....	12
3.0 Installation .....	14
3.1 Installation Methods .....	14
3.2 Identification of Different Types of Lighting Fixtures .....	15
3.3 Installation Tools .....	16
3.4 Screw and Torsion .....	17
3.5 Configuration of Lighting Fixtures and Relevant Installation Fittings .....	17
3.6 Installation Process .....	18
4.0 Replacement of Components of Lighting Fixtures .....	20
4.1 How to Dismount the Lighting Fixtures from Base .....	21
4.2 How to Replace Prism and its Gasket Sleeve .....	22
4.3 How to Replace Light Source .....	23
4.4 Actions after the Light Source Assy is Replaced .....	24
4.5 How to Replace Gasket.....	25
4.6 Airtight Test of Lighting Fixtures.....	26
5.0 Operation and Control.....	27
5.1 Light Wiring Schematic Diagram.....	27
5.2 Light Intensity Adjustment and Control .....	27
6.0 Maintenance of Lighting Fixtures .....	28
6.1 Daily Maintenance.....	28
6.2 Regular Spot Check and Troubleshooting .....	29
7.0 List of Components and Ordering of Spare Articles and Accessories .....	30
8.0 Packaging, Transportation and Storage .....	32
8.1 Packaging and Weight .....	32
8.2 Transportation Mode.....	32
8.3 Storage .....	32

## **1.0 Foreword**

ICAO *Airport Service Manual* Part 9 “Airport Maintenance Practices” and FAA AC150/5345-26 *Maintenance of Airport Visual Aid Facilities* are the highest criterions for site installation and maintenance of such lighting fixtures. This manual was compiled with considerable reference to these two criterions.

The content stated in this manual is absolutely important, so construction personnel must read it carefully before construction. After properly understanding the entire content of this manual, construction personnel should carry out the construction in strict accordance with the methods specified herein, to ensure that the product is safely and properly installed in place.

Routine airport maintenance personnel should carry out the routine maintenance in strict accordance with the methods specified by relevant provisions, to ensure that the lighting fixtures are in the best operation condition.

Related personnel must strictly follow safety criterion. Any personnel without specialized training is strictly forbidden to touch the lighting fixtures and devices. Live line work should be avoided under any circumstances. Construction or maintenance personnel should get acquainted with first-aid knowledge, in case of any unexpected events.

## 1.1 Illustrations and Meanings

- Following illustrations will appear in this manual where necessary to remind or warn construction or maintenance personnel.
- Please continue reading the subsequent content of this manual after properly understanding the meanings of these illustrations.



- To remind that the behavior may cause serious injury or death
- ※ Detailed description will be given in the box



- To remind that the behavior may cause injury to people or damage to product.
- ※ Detailed description will be given in the box.



- To notify that the behavior is prohibited.
- ※ Detailed description will be given in the box.

## 1.2 Safety Rules and Notices



- Using the light fixtures outside of airport is strictly prohibited..
- ※ Inadequate maintenance or casual touch will cause light faults.



- Using power supply other than CCR is strictly prohibited.
- ※ It may damage the lighting fixtures and even cause fault of the power supply.



- Making sure that CCR is on power-off state before the installation or maintenance of the lighting fixtures.
- ※ Current surge produced during the installation of the lighting fixtures may cause damage to light source.



- Non-professional electricians are strictly forbidden to maintain any electrical fault of the lighting fixtures.
- ※ It may damage any electrical component of the lighting fixtures or cause bigger fault.



- Live line maintenance of the lighting fixtures is strictly prohibited; in case of lightning and/or thunderstorm, maintenance of the lighting fixtures is prohibited.
- ※ It may cause electric shock accident.



- Be careful when handling the lighting fixtures.
- ※ Drop or collision may damage the parts or cause personal injury.



- Replace the lead immediately in case the jacket of second cable is damaged.
- ※ It may cause short circuit, electric shock or other failure.



- Don't touch the damaged prism or other glass directly with hands.
- ※ Glass fragments may scratch hands.



- Touching the lighting fixtures with wet hand is strictly prohibited.
- ※ It may cause electric shock or other accident.

### **1.3 Quality Assurance and Responsibility**

Any defect in design, material or workmanship, which may occur during proper and normal use over a period of one year from date of installation but less than 15 months from date of shipment, or within the warranty period of the tender, will be repaired or replaced by manufacturer free of charge. The warranty doesn't cover the failures resulting from lamp burnt out, improper maintenance, installation or operation, or damages due to snow ploughs. Manufacturer shall not be liable to any further claims or particularly claims for damages not affecting the goods themselves.

## 2.0 Introduction

This manual involves the following series lighting fixtures:

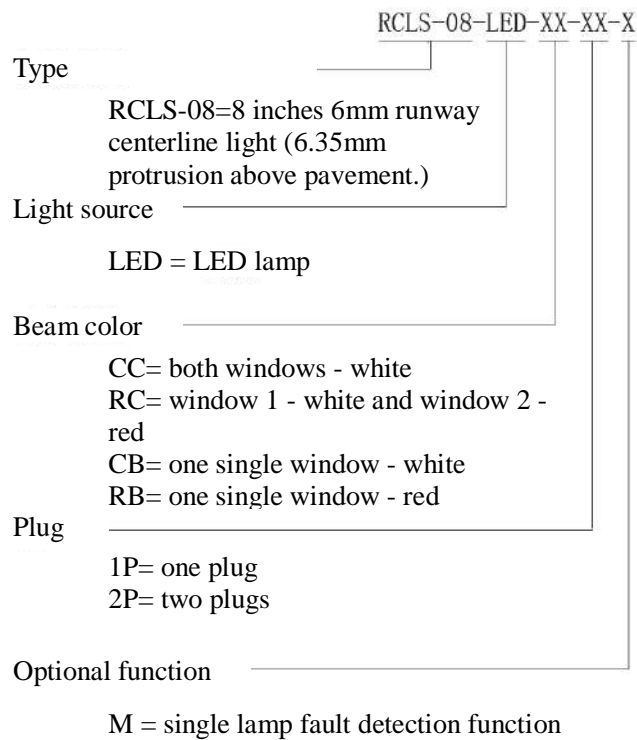
RCLS-08-LED----- Runway Centerline Light

ENDS-08-LED----- In-pavement Runway End Light

RAPS-08-LED----- Rapid Exit Taxiway Indicator Light

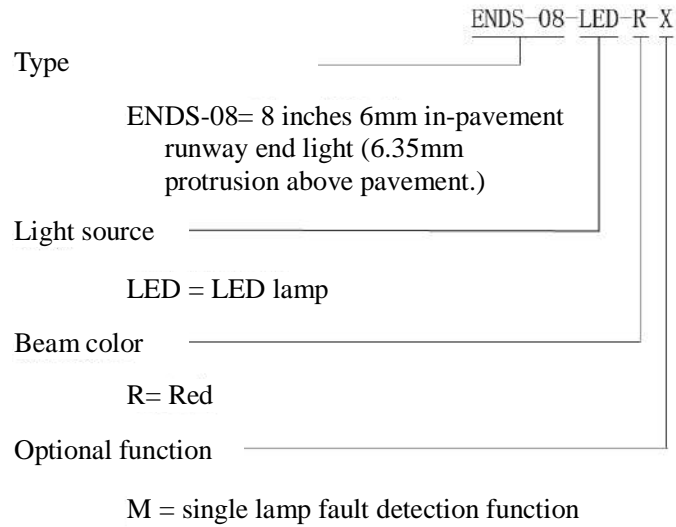
TDZS-08-LED----- Runway Touchdown Zone Light

Type to Runway Centerline Light (RCLS-08-LED):

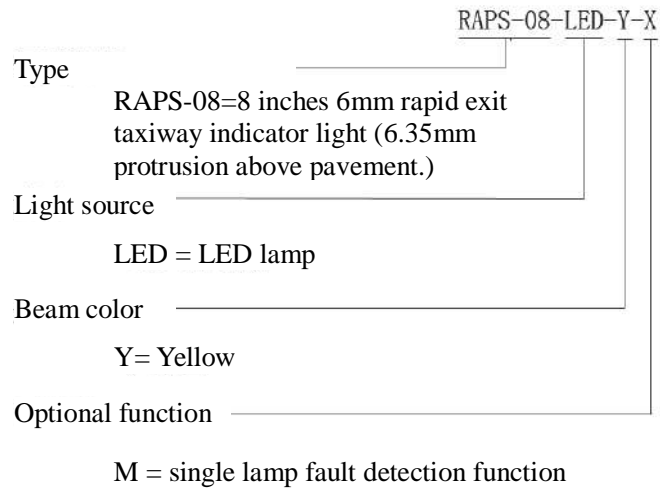




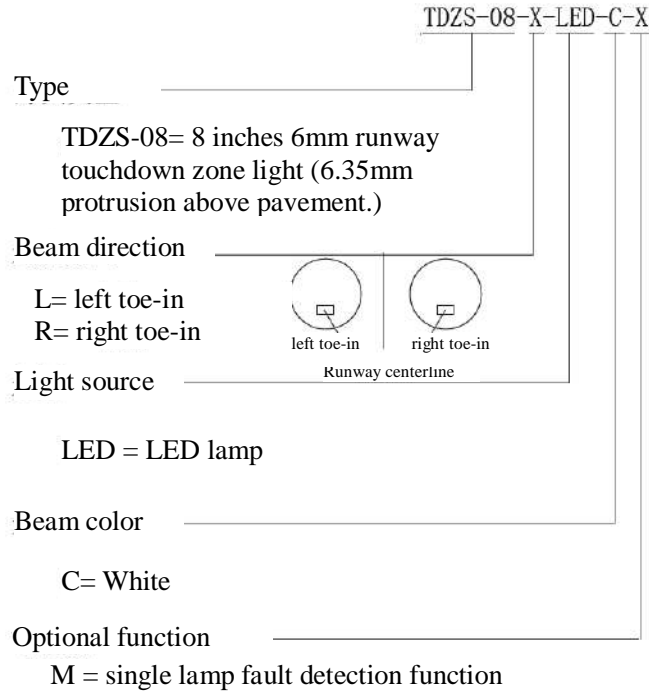
Type of In-pavement Runway End Light (ENDS-08-LED):



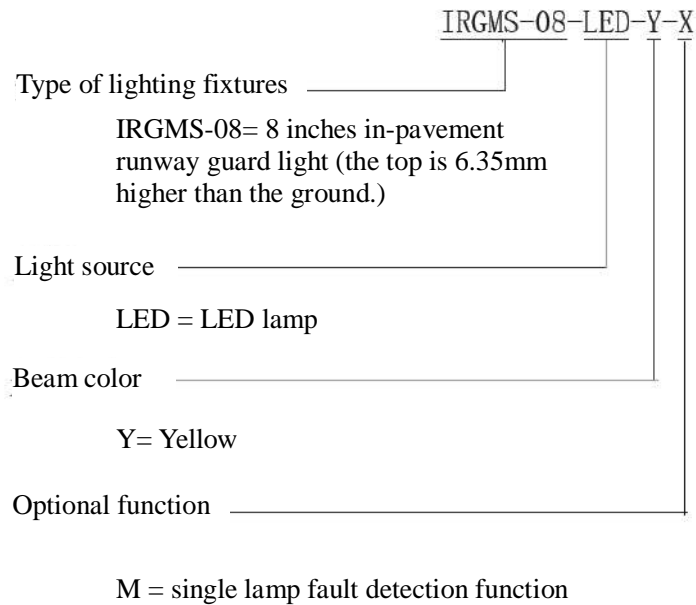
Type of Rapid Exit Taxiway Indicator Light (RAPS-08-LED):



Type of Runway Touchdown Zone Light (TDZS-08-LED):



Type of Runway Guard Light (IRGMS-08-LED):



## 2.1 Design Specification:

This product conforms to the provisions of the following standards or technical specifications. For dated standards or technical specifications, only the edition cited applies. For undated references, the latest edition of the referenced document (including any amendments) applies.

- International Electrotechnical Commission (IEC) TS 61827;
- Convention on International Civil Aviation Annex 14 - *Aerodromes* Volume 1;
- International Civil Aviation Organization (ICAO) - *Aerodrome Design Manual* - Part 4: Visual Aids;
- Federal Aviation Administration (FAA) AC150/5345-46;
- Federal Aviation Administration (FAA) EB 67;
- GB/T 7256 *General Requirements of Lighting Fixtures for Civil Airport*;
- Department of Airport of Civil Aviation Administration of China: Advisory Circular, *Technical Requirements for Runway and Taxiway Aid Lighting Fixtures* (AC-137-CA-2015-03).
- Department of Airport of Civil Aviation Administration of China, Advisory Circular, *General Technical Requirements for Civil Airport LED Aid Lighting Fixtures* (AC-137-CA-2015-01).

## 2.2 Application Environment

- Altitude: below 4,000m;
- Outdoor: -55°C ~ +55°C;
- Relative air humidity: not more than 95%;
- In rain, snow, ice and water;
- Expose to corrosive salt atmosphere.
- Basic earthquake intensity VII.

## 2.3 Application Scope

Runway centerline light, in-pavement runway end light, rapid exit taxiway indicator light and runway touchdown zone light can be used for Category I, II and III airports.



- Using the lighting fixtures beyond the specified scope is strictly prohibited.
- ※ Application beyond the specified scope will cause damage or risk to any component.

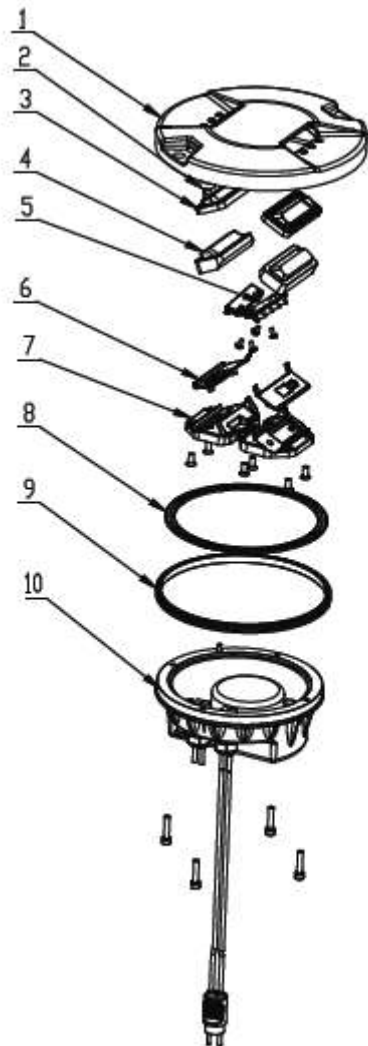
## 2.4 Technical Parameters

Description	Type	Rated Power	Power Factor	Life of Light Source
Runway Centerline Light	RCLS-08-LED-CR-1P-M	20VA	>0.9	≥50,000h
	RCLS-08-LED-CR-2P-M	20VA	>0.9	≥50,000h
	RCLS-08-LED-CC-1P-M	25VA	>0.9	≥50,000h
	RCLS-08-LED-CC-2P-M	25VA	>0.9	≥50,000h
	RCLS-08-LED-C-1P-M	20VA	>0.9	≥50,000h
	RCLS-08-LED-R-1P-M	15VA	>0.9	≥50,000h
In-pavement Runway End Light	ENDS-08-LED-R-M	20VA	>0.9	≥50,000h
Rapid Exit Taxiway Indicator Light	RAPS-08-LED-Y-M	20VA	>0.9	≥50,000h
Runway Touchdown Zone Light	TDZS-08-L-LED-C-M	20VA	>0.9	≥50,000h
	TDZS-08-R-LED-C-M	20VA	>0.9	≥50,000h

## 2.5 Technical Features

- Long life, energy saving, maintenance free and other characteristics of LED will bring huge economic benefits to customers;
- Proprietary prism structure and manufacturing process, making the optical efficiency excellent;
- Strict LED color management ensures the consistency of light color;
- Dimming curve of the lighting fixtures is consistent with the change of halogen lamp, and meets the requirements of FAA;
- Proprietary drive circuit and thermal management solution greatly improve the reliability and service life of the lighting fixtures;
- Power factor is greater than 0.9, which minimizes the grid interference;
- Optional single lamp fault detection function enables the light to be open as halogen lamp once LED fails;
- Specifically designed light structure and the light is only 6.35mm protruded above the pavement;
- The luminous surface of the upper cover of the lighting fixture is flat, and thus it is difficult for ponding and the luminous efficiency is high;
- The upper cover of the lighting fixture employs the constant strength design and forging process, with good mechanical property and high bearing capacity and shock resistance capacity;
- The upper cover of the lighting fixture is smooth, without sharp corner angle to ensure that the aero tyre is not damaged;
- Main body of the lighting fixtures is made of the special high conduction aluminum alloy material and thus the lighting fixtures have good heat dissipation;
- Main body of the lighting fixtures is made of aluminum alloy material with special anodizing surface treatment, and all fasteners are made of stainless steel, thus being applicable to all kinds of harsh environment;
- High precision components machining ensures dimensional quality and precision of the lighting fixtures;
- The overall IP rating of the lighting fixtures reaches IP68, which may bear 138KPa internal pressure or water pressure formed by impact of the aircraft on the window;
- The components are of modularized design for common use, which are applicable to various 8 inches LED in-pavement runway lights (6mm), effectively reducing the spare parts inventory.

## 2.6 Structure



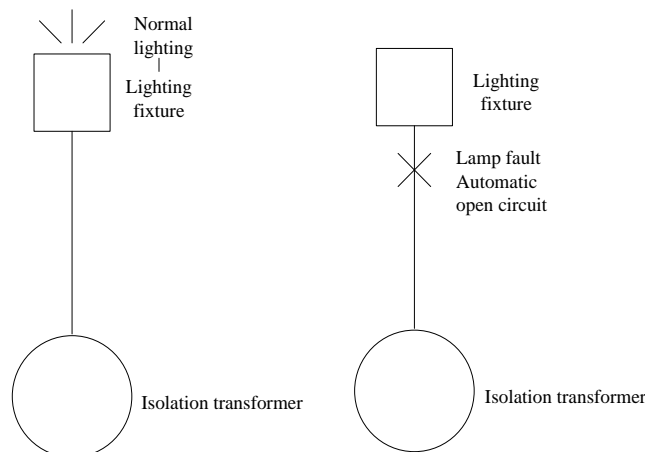
1. Upper cover 2. Thermal switch 3. Prism gasket sleeve 4. Prism 5. LED lamp assy  
6. Prism gasket 7. Prism pressing bracket  
8. Light body gasket 9. Lighting fixture gasket 10. Inner cover assy

## 2.7 Fault Detection or Lamp Bypass Functions

This product complies with the requirements of FAA EB67 and GB/T 7256, and integrates single lamp fault detection function; or, it can provide the option of lamp bypass function in accordance with the requirements of FAA AC150-5345/46.

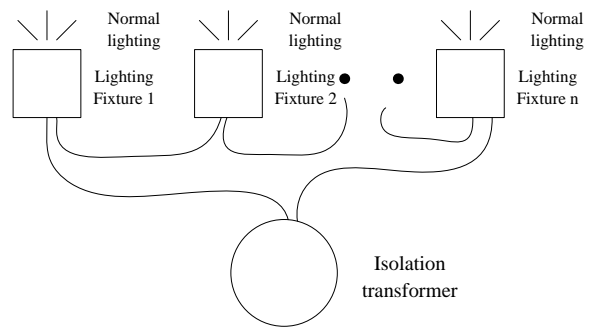
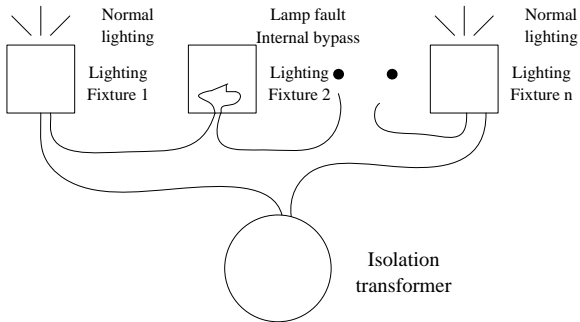
Single lamp fault detection function: The light will take automatic action to cut off the input when any malfunction occurs on the lamp and achieve an effect similar as the open circuit of ordinary halogen light once it is burnt. This function is generally used in conjunction with single lamp controller, to help single lamp control and monitoring system to identify any failed light. And it is integrated into the interior of the lighting fixtures, without need of any external device. Please specify this function during the ordering if needed.

45W isolation transformed is recommended and the transformer of greater than 100W shall not be used for such lighting fixtures.



- In case of no special requirements, 45W isolation transformer is recommended for lighting.
- ※ Any isolation transformer whose power is greater than 100W shall not be used for the fixture that has the single lamp fault detection function.

Lamp bypass function: After any failure occurs to the lamp, relatively, the input terminal of light will be short to the isolation transformer. This function is generally applicable to occasions that one isolation transformer carries multiple lighting fixtures. If one or more of these lighting fixtures is or are damaged, the remaining lighting fixtures will not go out thereby. This function is integrated into the interior of the lighting fixtures, without need of any external device. Please specify this function during the ordering if needed.





### 3.0 Installation

Requirements for installation should be learned thoroughly before installation including installation tools and site requirement, etc., to avoid malfunction of the light due to incorrect installation.

#### 3.1 Installation Methods

- Directly mounted on the 8 inches shallow base (Figure 3-1).
- Mounted on the 12 inches shallow base with the 12/8 inches adapter ring (Figure 3-2).
- Mounted on the 12 inches deep base with the 12/8 inches adapter ring (Figure 3-3).
- The deep base depth may be adjusted according to the customer's requirements.

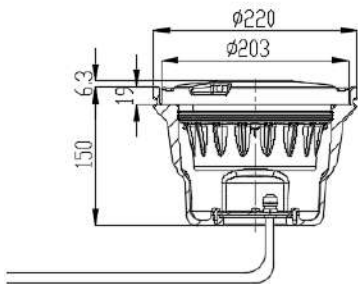


Figure 3-1

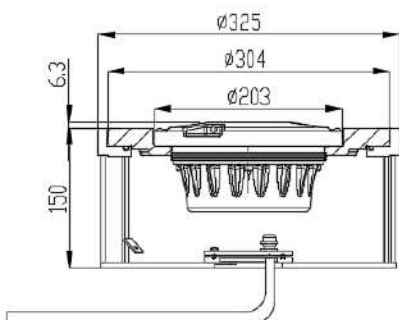


Figure 3-2

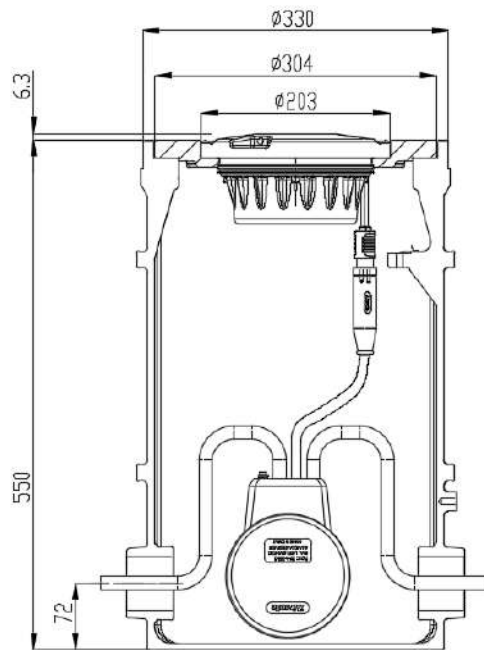
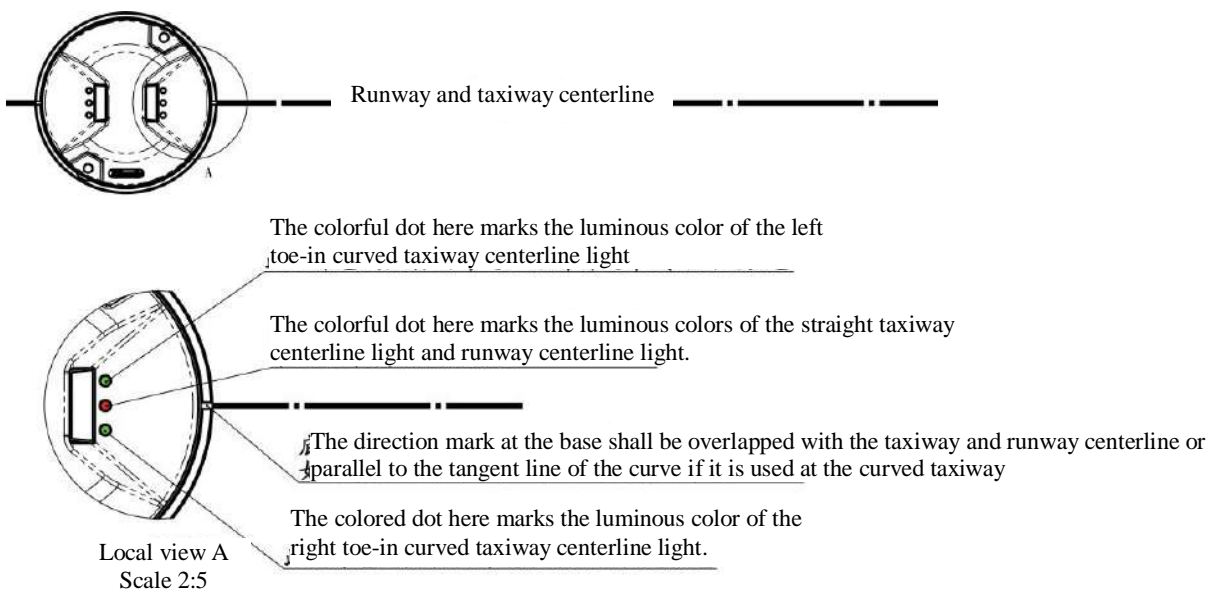



Figure 3-3

### 3.2 Identification of Different Types of Lighting Fixtures

- The model of each lighting fixture is attached to its bottom.
- The colorful dot identification mark is attached to the light outlet of each lighting fixture, respectively meaning the luminous color and direction of the window where the colorful dot is located.
- According to the specific provisions of FAA, ICAO and CAAC, correctly select the lighting fixtures and ensure their window directions.



 ■ Before installing the lighting fixture, confirm the window color and luminous direction.  
 ※ Avoid rework or other problems.



“M” means that this light has the single lamp fault detection function.

 ■ Before installing the lighting fixtures, please confirm their model.  
 ※ Avoid rework or other problems.

### 3.3 Installation Tools

Choosing right tools not only can ensure the correct and reliable installation of the lighting fixtures, but also can reduce unnecessary safety accidents. *Special Tools* listed in the table may be purchased from the manufacturer or any distributor. Universal tools are available on local hardware market. Please pay attention to measurement range during procurement.



- Special tool: 8 inches lighting fixture handle: be used for dismount the lighting fixtures, which has the patented design of the manufacturer and please directly order it from the manufacturer or agent.



- Universal tool: Torque wrench: be used to tighten the screw, which may be used with various sleeve wrenches and directly purchased from various hardware stores, manufacturer or agent. Recommended range is 10-40N·m.



- Universal tool - Torque screwdriver: be used to dismount screw, equipped with PH2 cross screwdriver, and sellable in various hardware stores. Recommended range is 1-6N.m

### 3.4 Screw and Torsion

The torque listed in this section is only for reference by maintenance personnel. Correct fastening force of screw can ensure normal operation of the lighting fixtures. If screw is too tight, it will easily damage the lighting fixtures; on the contrary, if screw is easy to fly out, it may cause an accident.

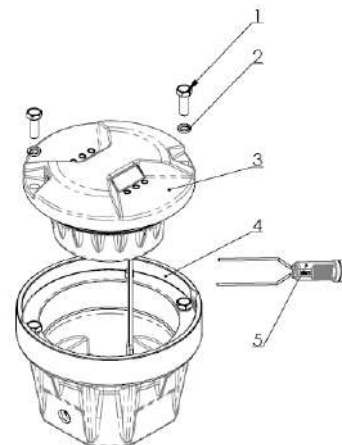
Serial No.	Screw Type	Tool	Torque
1	M10	Torque wrench with 17# sleeve	25 N·m
2	M5	Force measuring screwdriver with cross screwdriver (PH2) 3mm socket head wrench	3 N·m
3	M4	Force measuring screwdriver with cross screwdriver (PH2)	1.5 N·m
4	M3	Force measuring screwdriver with cross screwdriver (PH1)	0.63N·m



- Please use torque wench or other special tool for installation
- ※ Informal tools may cause damage to fasteners or personal injury.

### 3.5 Configuration of Lighting Fixtures and Relevant Installation Fittings

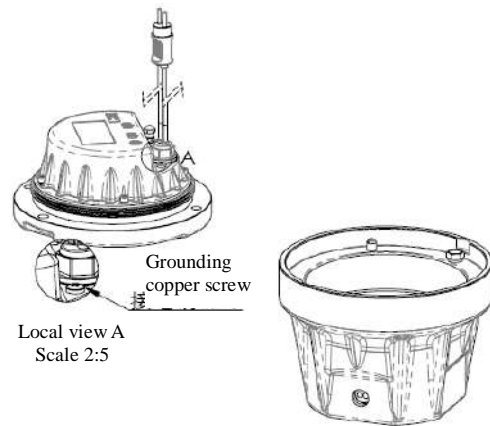
- 1、 M10×30 screw
- 2、 Ø10 spring washer
- 3、 Lighting fixture
- 4、 Base (8 inches)
- 5、 A7 twin-core receptacle (base assy)



### 3.6 Installation Process

The installation process of lighting fixtures includes settings of the pavement mounting hole, wiring, base pre-burial and installation of lighting fixtures. The installation of lighting fixtures will greatly impact their use and service life. The manufacturer recommends that all installers should receive the professional training.

If ground connection is required, the ground lead shall be connected with the grounding screw on the lighting fixtures during its installation.



In case of installation with adapter ring or deep base, assemble the adapter ring to the base first and then perform the construction according to the above-mentioned method.



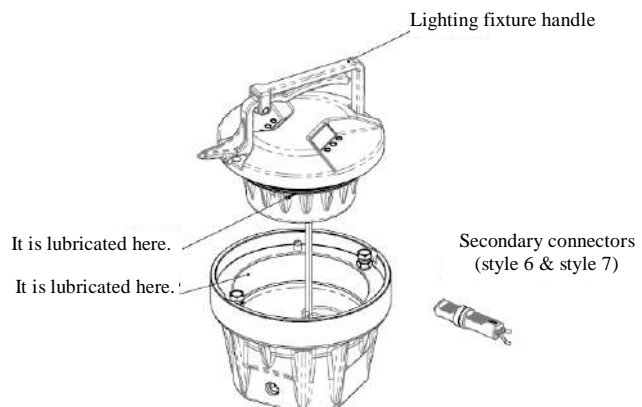
- Before the lighting fixtures are installed, the dust on the base must be strictly cleaned.
- ※ It may cause leakage between the lighting fixture and base.



- The ground lead must be connected in strict accordance with the provisions.
- ※ During daily maintenance, electric shock accident may be caused.

During installation, a little of water shall be used to wet the gasket of the lighting fixtures or base seal for lubrication. Then, plug the secondary plugs to ensure good contact.

The method is the same for installation with the adapter ring or deep base.





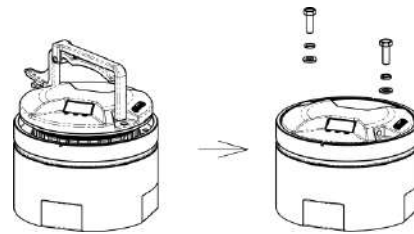
- During installation, the oily lubricating agent shall not be used to lubricate the sealing components.
- ※ The oily lubricant may cause aging or fault of the sealing components.



- The weight of the isolation transformer shall not be directly applied to the lead.
- ※ It may cause cable break, short circuit, drop, injury or other faults.

Clamp the lighting fixtures with the lighting fixture handle, reasonably put the secondary plug into the base to prevent the cable from squeezing during the installation, align the mounting holes of lighting fixtures and base, vertically apply force to press the lighting fixtures into the base and tighten the screw.

The method is the same for installation with the adapter ring or deep base.



- During installation, the lead shall not be damaged by the lighting fixtures.
- ※ It may cause electric leakage or short circuit of the lighting fixtures.



- During installation, the lighting fixtures shall be pressed into the base, and not warped.
- ※ It may cause leakage between the lighting fixture and the base or other lighting fixture faults.

## 4.0 Replacement of Components of Lighting Fixtures

When any damage or failure occurs to any consumable or other component of the lighting fixtures, it is required to timely dismantle the lighting fixtures for replacement of the component. Replacement of components needs to dismount the lighting fixtures, so any minor error will cause adverse consequences. The manufacturer requires users to attach importance to the following warnings. It is required to be careful during disassembly, to conduct comprehensive inspection of lighting fixtures, to replace some vulnerable parts as required, and to ensure the performance of the lighting fixtures after disassembly.



- It is suggested that maintenance of the lighting fixtures be carried out in lighting station or workshop.
- ※ Any impurities mixed in the lighting fixtures may cause failure of the lighting fixtures.



- When the lighting fixtures are dismantled each time, M10×30 complete set of fasteners shall be replaced.
- ※ The fatigue damage of the screw and elastic failure of the spring washer may cause accident.



- The manufacturer suggests that various gaskets should be replaced during each maintenance of the lighting fixtures
- ※ Aging and damage of gaskets are the main reasons for the leakage of lighting fixtures

## 4.1 How to Dismount the Lighting Fixtures from Base

- Dismount M10×30 screw, washer and spring washer (see Figure 4-1)
- Pry up the lighting fixture with the pinch bar (shown in Figure 4-2) of the 8 inches lighting fixture handle.
- After the lighting fixture and base are loosened, vertically lift the lighting fixture with the lighting fixture handle and dismount the ground lead with the cross screwdriver (see Figure 4-3).



Figure 4-1



Figure 4-2



Figure 4-3



## 4.2 How to Replace Prism and its Gasket Sleeve

- Place the top of the lighting fixtures downwards and dismount 4 M5×25 hexagon socket cap screws (Figure 4-4).
- Unplug the connecting cable connector of the LED lamp and circuit board and separate the upper cover and inner cover of the lighting fixtures (Figure 4-5).
- Dismount 6 M5×16 screws and remove the mounting plate of the aluminum substrate and prism pressing bracket (containing LED lamp) (see Figure 4-6).
- Take out the prism and its gasket sleeve from the upper cover and load the new prism gasket sleeve and prism into the upper cover in succession (see Figures 4-7 and 4-8).
- Press the aluminum substrate and prism pressing bracket (containing LED lamp) by aiming at the opposite angles of the screw hole (see Figure 4-9).
- Connect the lead of the LED lamp with the line connector on the circuit board, the pin hole in the inner cover aims at the pin on the upper cover and screw 4 socket head cap screws (see Figures 4-10 and 4-11).

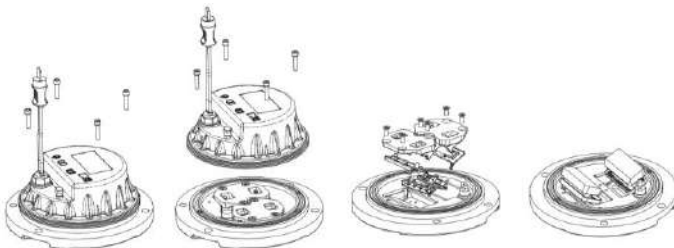


Figure 4-4    Figure 4-5    Figure 4-6    Figure 4-7

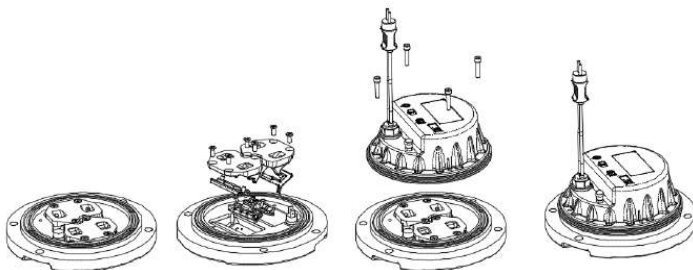


Figure 4-8    Figure 4-9    Figure 4-10    Figure 4-11



- The old rubber gasket sleeve shall not be used repeatedly.
- ※ Aging and damage of the rubber gasket sleeve may cause water seepage and leakage of the lighting fixtures.

### 4.3 How to Replace Light Source

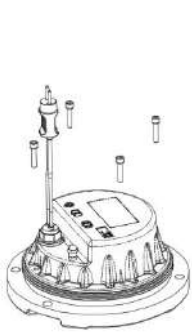


Figure 4-12

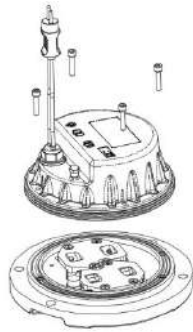


Figure 4-13

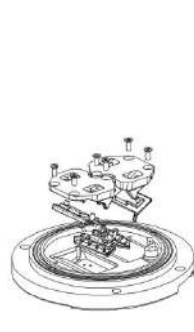


Figure 4-14



Figure 4-15

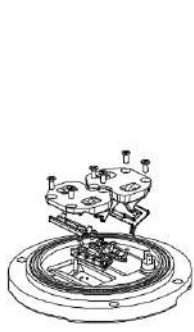


Figure 4-16

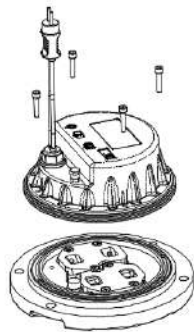


Figure 4-17

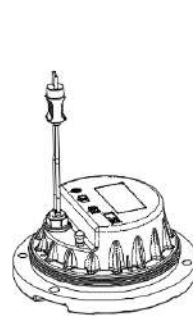


Figure 4-18

- Place the top of the lighting fixtures downwards and dismount 4 M5×25 hexagon socket cap screws (Figure 4-12).
- Unplug the connecting cable connector of the LED lamp and circuit board and separate the upper cover and inner cover of the lighting fixtures (Figure 4-13).
- Dismount 6 M5×16 screws and remove the mounting plate of the aluminum substrate (see Figure 4-14).
- Take out the old LED lamp from the prism pressing bracket and replace a new light source (see Figures 4-15).
- Cover mounting plate of the aluminum substrate and screw 6 M5×16 screws at the opposite angles (see Figure 4-16).
- Connect the lead of the LED lamp with the clamp connector on the circuit board, the pin hole in the inner cover aims at the pin on the upper cover and screw it (see Figures 4-17 and 4-18).

## 4.4 Actions after the Light Source Assy is Replaced

For the lighting fixture integrating the single lamp fault detection function, after the single lamp monitoring system sends the notice of light source fault, the operator may replace it during the runway maintenance period according to the operation steps in 4.1.

For the replaced lighting fixture, the light source may be replaced according to the steps in 4.3. However, prior to completion of overall assy, the “reset switch” in the inner cover shall be clicked, please see the position in Figure below.



Connect the lighting fixture with the isolation transformer (45W or below is recommended), start at any lighting level of CCR and wait for several seconds. If the lighting fixtures work normally, it may be used after it is assembled.

If they do not work normally, please replace the inner cover or contact us.



- When the inner cover is closed, the screw shall be screwed with uniform force at opposite angles.
- ※ Otherwise it may cause damage to the prism or leakage of the upper cover.



- After the internal parts of the lighting fixtures are replaced each time, the airtightness performance of the lighting fixtures shall be checked.
- ※ Improper assembly may cause leakage of the lighting fixtures.

## 4.5 How to Replace Gasket

- Replace the lighting fixture gasket on the inner cover: Take down the sealing gasket outside the inner cover and carefully clean the gasket. Load the new gasket to the correct working position of the inner cover. Please note the sealing tape (Figure 4-19).
- The inner cover and upper cover shall be separated when the internal light body gasket is replaced (Figure 4-20).
- Replace the gasket: Put the gasket into the seal groove of the upper cover (pin positioning) in place and ensure that the gasket and seal groove are clean (Figure 4-21).
- The pin hole of the inner cover is aligned with the pin of the upper cover, which is connected with the M5×12 sunk screws. (Figures 4-22 and 4-23).

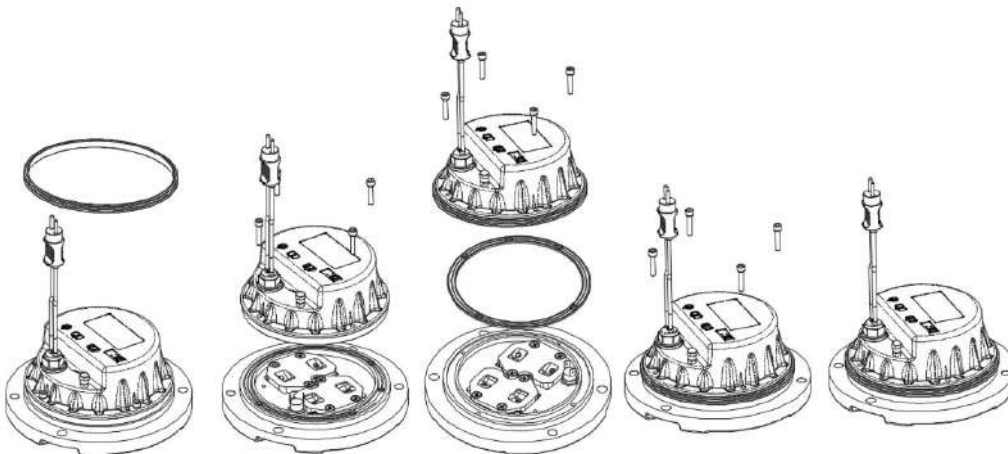


Figure 4-19

Figure 4-20

Figure 4-21

Figure 4-22

Figure 4-23



- Sealing gaskets should not be taken out from bag before assembly
- ※ If sealing gasket is stained with any impurities, it may cause water leakage of the lighting fixtures



- Carefully check the gasket and seal groove to ensure that there are no impurities.
- ※ The impurity inclusion is the main cause of lighting fixture leakage.



- Ensure that the lighting fixture gasket is located in the seal groove of the upper cover to prevent it from being cut.
- ※ It may result in lighting fixture leakage.

## 4.6 Airtight Test of Lighting Fixtures

- Unscrew the valve cap at the lighting fixture bottom (see Figure 4-24).
- Prepare 138Kpa air source (the air pressure shall not be greater than 150Kpa) and applicable air gun (air tube), inflate the air by aiming at the valve (Figure 4-25) until the air pressure in the lighting fixture meets the requirements. Put this lighting fixture into the water with the depth of 76mm for at least 1min and check whether there are bubbles under the state of static water surface. If not, it means that the sealing property of the lighting fixture is good, otherwise it shall be deemed that the lighting fixture has leakage.
- After detection, release the air pressure in the lighting fixture with the air valve of the valve core, re-screw the valve cap and put it into use (Figure 4-26). In case of leakage, check the causes according to the previous prompts and repeat the whole lighting fixture disassembly and assembly process or return it to the factory for maintenance.

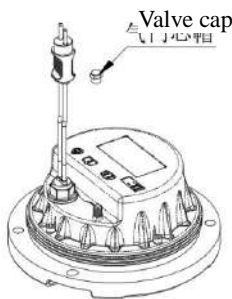


Figure 4-24

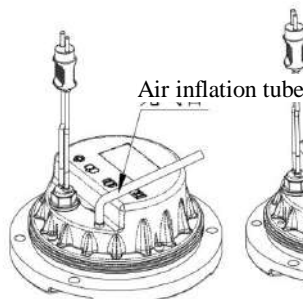


Figure 4-25

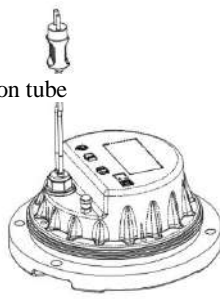


Figure 4-26



- After installation, the leakage test must be performed according to the requirements.
- ※ Improper assembly may cause leakage of the lighting fixtures.

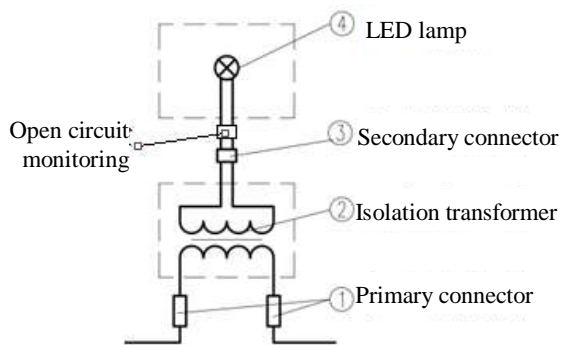


- When the valve cap is unscrewed, please do not loosen the valve.
- ※ Otherwise it may cause leakage of the lighting fixtures.

## 5.0 Operation and Control

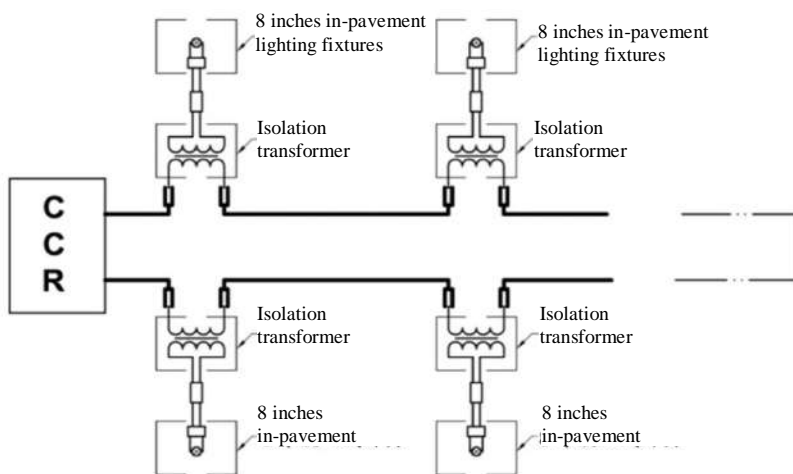
This lighting fixture is applicable to the special airport 6.6A power supply supplied by CCR, which forms a secondary circuit with the lighting fixture through the secondary lead of the isolation transformer connected to the main circuit. Due to use of the isolation transformer, the damage of each lighting fixture light source will not impact the whole series circuit.

### 5.1 Light Wiring Schematic Diagram



### 5.2 Light Intensity Adjustment and Control

In actual use, according to weather visibility, light intensity of the lighting fixtures may be adjusted through different current output by CCR, and varies significantly. If it is used on occasion of lower than rated current (6.6A), it may greatly improve the service life of lamp.



- Using power supply other than CCR is strictly prohibited
- ※ Other power supply may cause damage to light source or other component of the lighting fixtures, or even malfunctions of power supply.

## 6.0 Maintenance of Lighting Fixtures

Suggestions for daily maintenance provided in this section are only for reference. Airports may formulate their own daily maintenance guidelines with reference to other provisions or maintenance experience of airport staff; the manufacturer does not provide any hard-and-fast rules. Maintenance of the lighting fixtures for airports shall be conducted by professionals as stated in 1.0 Foreword.

### 6.1 Daily Maintenance

Interval	Check	Activity
Every day	No light output or flashing	Replace LED lamp assy
	Light output is lower	<ol style="list-style-type: none"> <li>1. Clean the prism surface if it is dirty.</li> <li>2. Check deviation or moisture of the lighting fixtures.</li> <li>3. Check aging or displacement of LED.</li> </ol>
Every week	Obstacles to light output channel	Clean the path and prism surface.
Every month	Existence of moisture and water (Visual check of internal surface of prism)	<ol style="list-style-type: none"> <li>1. Open the body.</li> <li>2. Clean, dry and check.</li> <li>3. Replace the body gasket and other parts damaged.</li> </ol>
Every two months	Tighten the screws	<p>Check whether screw for tightening light body is locked.</p> <p>Use the tools such as wrench and sealant by referring to the Table in Section 3.4.</p>
Every half a year	Water in the base	<ol style="list-style-type: none"> <li>1. Pump out the water in the base.</li> <li>2. Move and dismantle it and observe the damage to the lighting fixtures by water.</li> <li>3. Dispose of the water inlet.</li> </ol>
After snow removal	Damage to lighting fixtures	<ol style="list-style-type: none"> <li>1. Replace seriously damaged light.</li> </ol>
After snow removal	Light output is lower	<ol style="list-style-type: none"> <li>1. Sweep the snow on the window with a powerful sweeper.</li> <li>2. Clean the prism surface if it is dirty.</li> <li>3. Check deviation or moisture of the lighting fixtures.</li> <li>4. Check aging or displacement of LED.</li> </ol>

## 6.2 Regular Spot Check and Troubleshooting

Serial No.	Failure Phenomenon	Possible Reasons	Countermeasures
1	No light output or flashing	LED aging or other unknown failure Power of the isolation transformer of greater than 100W.	Replace the LED lamp assy or driver or return the lighting fixtures to the manufacturer for maintenance.
2	The lighting fixtures is darker	The prism surface is dirty.	Clean the prism surface.
3	Existence of moisture and water	Damage to the prism or gasket	Replace the prism or gasket.



- The manufacturer suggests that times of daily maintenance should be increased in rainy season
- ※ To ensure normal operation of lighting fixtures



- The manufacturer suggests that the lighting fixtures should be systematically replaced when the service life of the LED lamp reaches 80%.
- ※ To ensure the consistency of light intensity of whole circuit



- It is necessary to use torque wrench. Power wrench is strictly prohibited
- ※ Otherwise, it may damage screw and thread, and thus cause an accident



## 7.0 List of Components and Ordering of Spare Articles and

### Accessories

The table in this chapter lists the components, spare articles and accessories of this product and relevant ordering information. Spare articles and accessories of this product needs to be ordered additionally, and the manufacturer accepts the order in assembly mode and separate order of components. When ordering, please contact the manufacturer or any distributor according to order number listed in the table. The manufacturer suggests that some important components should be purchased from original factory to ensure various indicators of the lighting fixtures.

List of components and spare articles:

Structure No.	Component Name	Order No.	Description
1	Upper cover	21582	8 inches upper cover- two windows
		21581	8 inches upper cover- single window
2	Temperature control switch	48511	Temperature control switch (35-45°C)
3	Prism gasket sleeve	43117	Prism gasket sleeve (61×28)-H6
4	Prism	31158	Prism (61X28)-H6
5	LED lamp assy	932053-C(AGL)	LED lamp assy C(AGL)
		932053-R(AGL)	LED lamp assy R(AGL)
		932053-R(AEL)	LED lamp assy R(AEL)
		932053-Y(AGL)	LED lamp assy Y(AGL)
		932053-C(S)	LED lamp assy C(S)
6	Prism gasket	43316	Prism gasket (67X21)
7	Prism pressing bracket	43241	Prism pressing bracket (71X65)
8	Light body gasket	41141	Gasket 137×2
9	Lighting fixture gasket	41107	Sealing gasket (standard)
10	Inner cover assy	921254-0-1	8 inches inner cover assy 6mm-1P

List of supporting accessories of this product is as follows (needing additional order):

Serial No.	Order No.	Description
1	827131	8 inches base component (side entry)
2	827132	8 inches base component (bottom entry)
3	70703	Secondary receptacle A7
4	951101	8 inches lighting fixture handle
5	827511	12-8 adapter ring assy
6	82732X	Deep base (H550) assy For the entry opening direction, please contact us.
7	927151	12 inches base assy (bottom entry)
8	927156	12 inches base component (side entry)
9	ITF-45-066	Isolation transformer 45W



- When the prism cannot work properly, please order it from our company.
- ※ The prism of other brands may impact the luminous angle and light intensity of the lighting fixtures.



- If secondary plug is damaged, please order it from our company
- ※ Other brand plug may cause light leakage and other failures

## **8.0 Packaging, Transportation and Storage**

### **8.1 Packaging and Weight**

Packaging: 2 pc / box

Gross weight: 7.59 KG / box

Volume: 230\*230\*230mm<sup>3</sup>

Packaging: 1 pc / box (including 8 inches shallow base)

Gross weight: 6.5 KG / box

Volume: 250\*250\*185mm<sup>3</sup>

### **8.2 Transportation Mode**

Well packed products may be transported in three modes - railway, highway and air according to factors such as transportation distance, quantity of lights and delivery cycle.

### **8.3 Storage**

This product shall be stored in a place which is dry, well ventilated and far away from heat source and has no caustic gas. Custody should be checked on a regular basis.

The final right to interpret this manual is reserved by Airsafe Airport Equipment Co., Ltd.

Thanks for your purchasing and using AIRSAFE product!

Address: No. 38, Anxin Road, Xuhang Town,  
Jiading District, Shanghai, China

Postal Code: 201800

Tel.: 021-53540453

Fax: 021-63643114

E-mail: [sales@airsafe.com.cn](mailto:sales@airsafe.com.cn)