

**indra** navia

AIRPORT SOLUTIONS

# **NORMARC** Frangible Masts by AmpliSafe®

[indranavia.com](http://indranavia.com)





Tittel:

**AMPLISAFE**  
Aluminium - the green metal

# Foundations

## NORMARC Frangible Masts by AmpliSafe®

1.4	Translated to english	12.04.18	AN		GA
1.3	Forside og adresse	26.02.18	GA		ANI
1.2	Produkt navn	10.04.15	GA		SN
1.1	Endret mastebetegnelse	10.03.15	GA		LS
1	Fundamenter	10.01.12	GA	SN	LS
Rev.	Description	Rev. Date	Author	Checked	Approved
				Pages: <b>Side 2 av 7</b>	
				Rev.no.: <b>1.4</b>	



## Index

<b>1. FOREWORD .....</b>	<b>4</b>
1.1 STRUCTURE OF DOCUMENT .....	4
1.2 PRODUCT OWNER / MANUFACTURER .....	4
<b>2. FOUNDATION.....</b>	<b>5</b>
2.1 FOUNDATION POSITIONING .....	5
<b>3. DRAWINGS.....</b>	<b>6</b>
3.1 NORMARC FRANGIBLE MASTS BY AMPLISAFE® 3S.....	6
3.2 NORMARC FRANGIBLE MASTS BY AMPLISAFE® 3M.....	6
3.3 NORMARC FRANGIBLE MASTS BY AMPLISAFE® 4S.....	7
3.4 NORMARC FRANGIBLE MASTS BY AMPLISAFE® 4M.....	7



## 1. FOREWORD

### 1.1 Structure of document

This document contains information regarding foundations for NORMARC Frangible Masts by AmpliSafe®.

### 1.2 Product owner / Manufacturer

Normeka AS  
Østkroken 242  
NO-1950 RØMSKOG

Phone: +47 69 85 90 90  
E-mail: [normeka@normeka.no](mailto:normeka@normeka.no)



## 2. FOUNDATION

### 2.1 Foundation positioning

#### 2.1.1 Types of masts

There are four different types of masts, triangular small and medium (3S & 3M), square small and medium (4S & 4M), with different baseplates. It is therefore crucial that the foundation bolts are positioned correctly to the corresponding bolt-pattern of the mast baseplate for each individual masts. Normeka AS can provide templates for each masttype, the templates are optional equipment and are not included in the standard delivery.

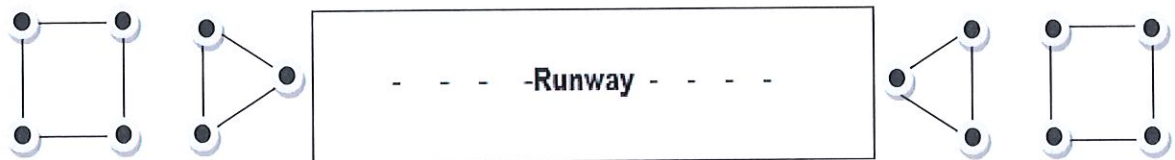
#### 2.1.2 Square masts

Square masts shall be mounted on four foundation bolts arranged as a square, with two of the sides parallel to the direction of the runway. See figure 1. CC-distance for 4S is 240,4mm and for 4M 285mm.

#### 2.1.3 Triangular masts

Triangular masts shall be mounted on three foundation bolts arranged as a equilateral triangle, with one side parallel to the end of the runway (rotated 90 degrees in relation to the direction of the runway) with the mast pointing towards the runway. See figure 1. CC-distance for 3S is 249,8mm and for 3M 320,4mm.

Figure 1

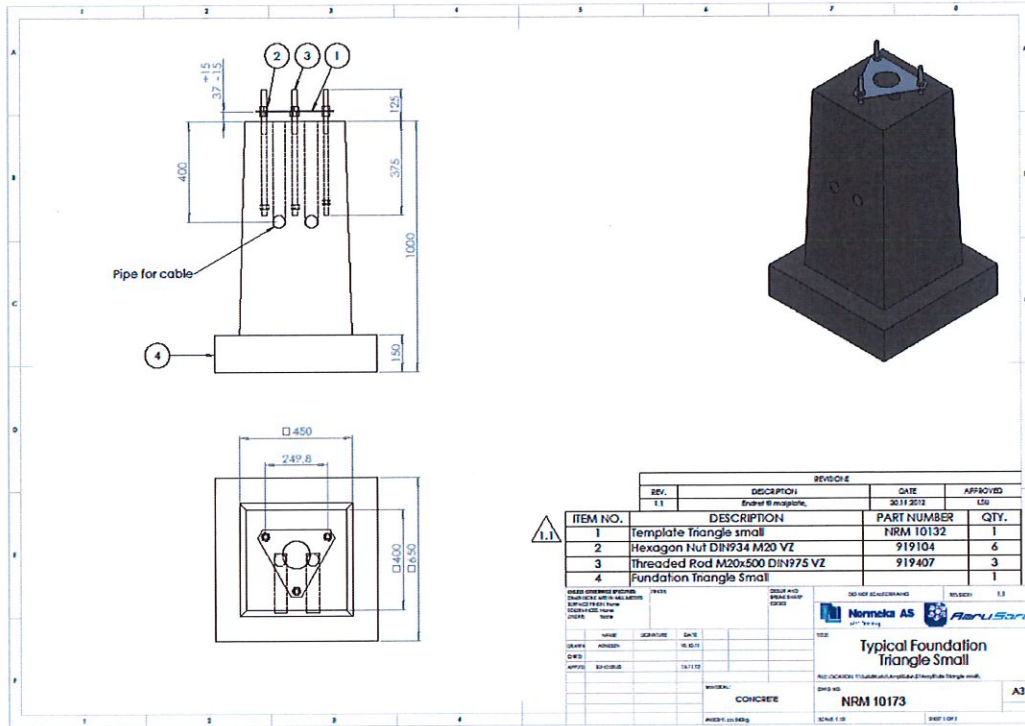


Positioning of foundation bolt for triangular and square masts, in relation to the runway.

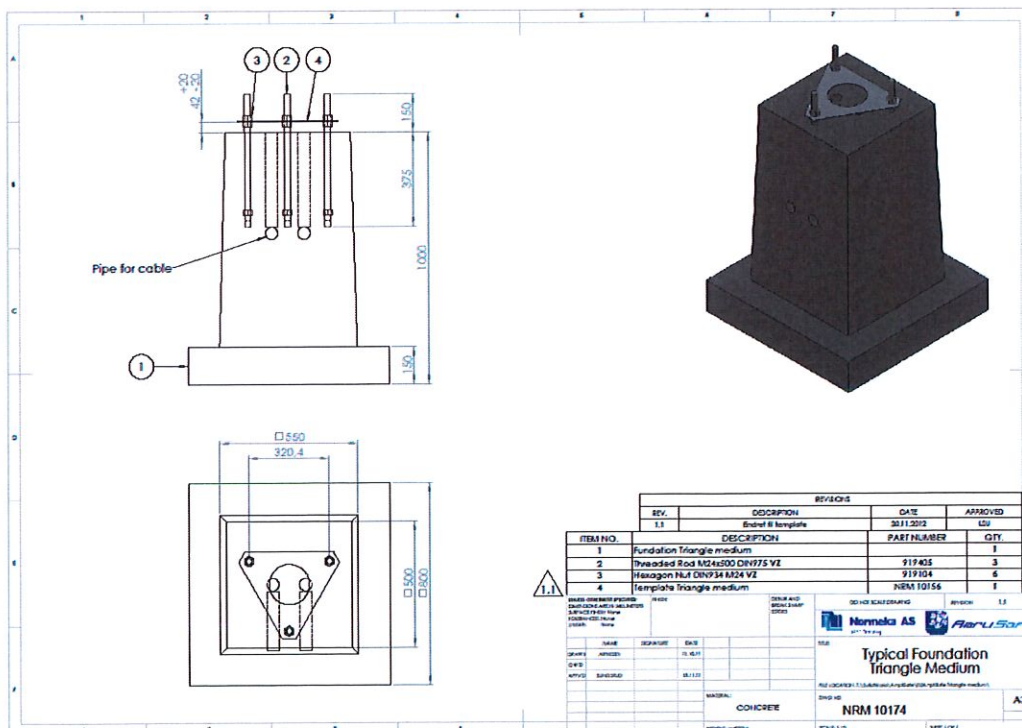


### 3. DRAWINGS

#### 3.1 Normarc Frangible Masts by AmpliSafe® 3S

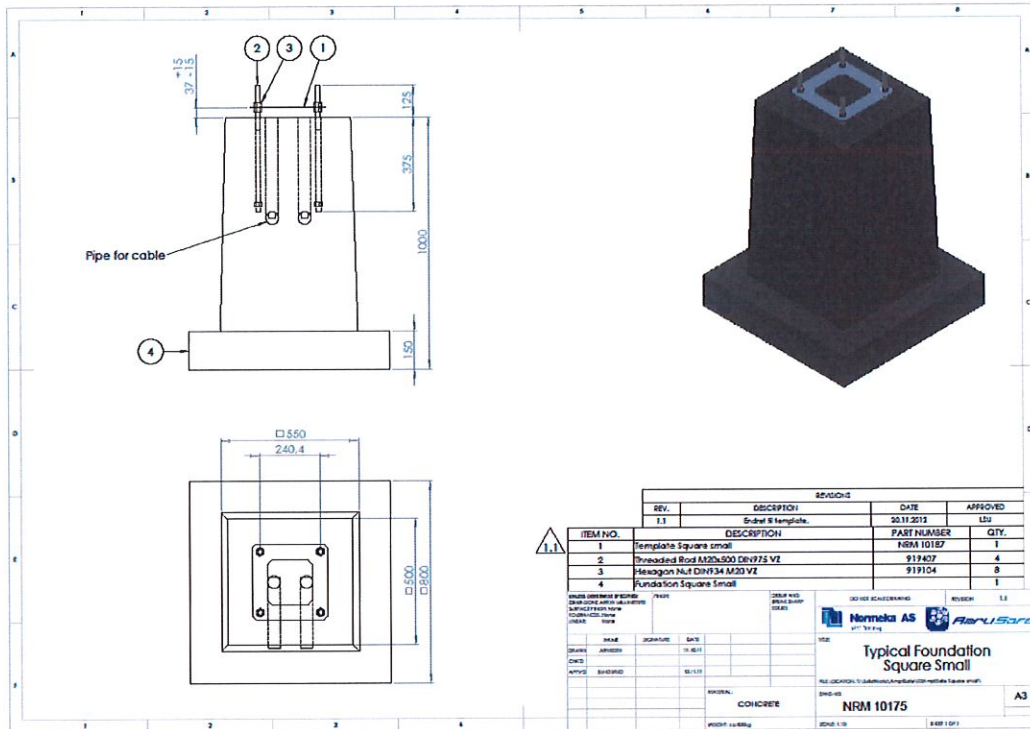


#### 3.2 Normarc Frangible Masts by AmpliSafe® 3M





### 3.3 Normarc Frangible Masts by AmpliSafe® 4S



### 3.4 Normarc Frangible Masts by AmpliSafe® 4M

