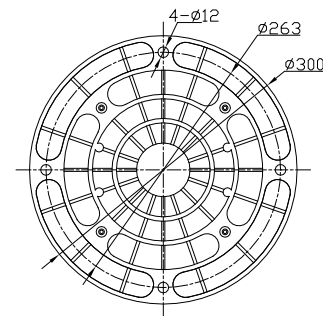
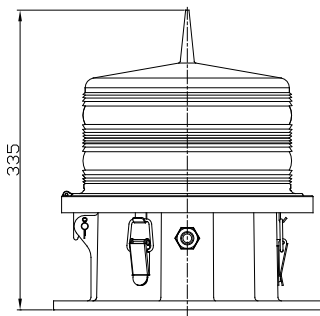


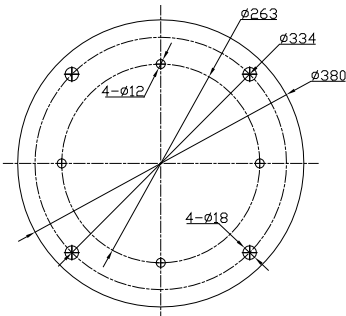
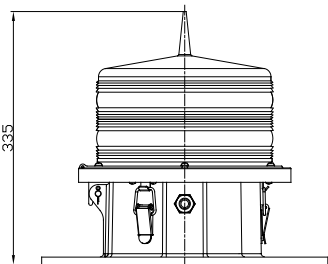
CE Patent NO 2011 2 0216502.X
Patent NO 2011 3 0189202.2



Mounting dimension (unit: mm)



(Drawing 1 Normal base)



(Drawing 2 Big size base)

Application

LM100 Medium intensity obstruction light for making Towers(Telecom, GSM),Smokestacks (heat-engine plant, coking plant chemical plant etc.),Buildings, Port devise, Construction machinery, wind power generator etc. for air traffic warning.

Major Functions&Features

- Optics design based on Fresnel lens principle.
- Based on LED technology, with external long life, low power consumption and high efficiency.
- PC lamp housing with the sound impact resistance, thermal stability and luster effect.
- Die casting aluminum base, shockproof and corrosion resistant.
- No RF-radiations, EMC Compliant. And constant LED drive to prolong led life.
- Sealed material: waterproof sealing ring.
- Combustibility rating : UL94-V0.
- Wind speed resistance grade: ≥67m/s.
- Option function: photocell/ frequency adjustment.
- Customized function: GPS synchronous function /RS485 communication function
- accessory : mounting bracket/cable(customized)

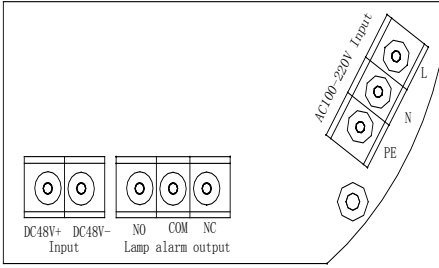
Specification

International standard	ICAO(Annex 14)medium intensity aviation obstruction light standard and FAA-L864		
Color	Red(white could be customized)	Light source	LED
Intensity	red : night 2000±25% cd white : daytime 3000cd/night 1500cd	Working mode	Steady burning or flashing (optional)
Vertical degree	≥3°	Horizontal degree	360°
Voltage	AC100V~AC240V/DC48V	Power consumption	<65W (steady burning)
Error alarm	Dry contact (normal closed or not adjustable)	LED life	≥100,000h
Flashing rate	20/30/40/60times/min (30times/min before shipment)		
On/Off level	50lux (without photocell, the setting mode is for night)		
Ambient temperature	-40°C ~ +70°C	IP protection	IP65
Humidity	10% ~ 95% (no coagulation)	Weight	6.5kg

Installation and operation

- Secure the light on a smooth surface which has enough strength, if there is no mounting surface, we can customize special mounting bracket as request.
- When installation, please stay away the nearby light source, at the same time, ensure the photocell do not cover by the near object.
- Make sure the power supply can match the rated power of light before connecting.
- Unfasten three buckles on the base and overturn the lamp body, then the terminals appear.
- Insert the power cable from the cable gland and then connect them to the corresponding terminals inside the lamp body.

Wiring diagram



Application



- After finishing the connection, fasten the buckles. Check whether the power cables are connected correctly before power on.
- GPS synchronization test should be in the outdoor environment without any block. Synchronization takes about 15 minutes (Only suit for the type of synchronization with GPS).

Method

- The product with flash work mode manual adjustable function, also with fault alarm function.
- Method for flash work mode: disconnect the power supply, take apart the light and dial the switch with screwdriver.

Dial code	0 0 0	0 0 1	0 1 0	1 0 1
Dial sample figure				
Light work mode	steady burning(auto) (steady burning at night)	Flash(auto) 20times/min	Flash(auto) 30times/min	Flash(auto) 30times/min
Dial code	0 1 1	1 0 0	1 1 0	1 1 1
Dial sample figure				
Light work mode	flash 40times/Min	Flash 60times/min	Manual steady	Manual off

Remarks 1: when turnover to number end is 1, Turnover to ON is 0.

Remarks 2: auto steady burning function means that the light could see whether it is daytime or night, when it is night, it would be steady burning.

Remarks3: Manual steady burning function means that the light would see whether it is night or not, it tacitly confirm that it is steady burning all the time.

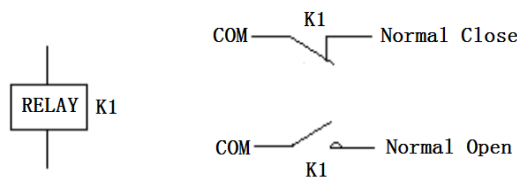
Remarks4: Manual steady off function means that turning off the light all the time for test.

Remarks 5: No matter how in any mode, it would have 1 second for itself examination when connecting to the electricity.

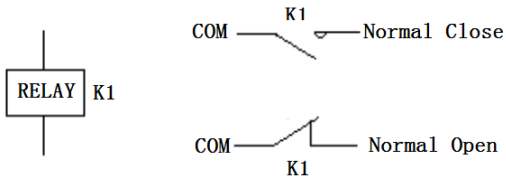
Remarks6: white light could be customized, it would be lighting day and night, 3000cd at daytime and 1500cd at night

- Fault alarm function :

When the light don't connect the power supply or the work current for light is low: relay has no action," COM" and "Normal Close" terminals closed, as shown.



When the light connect the power supply and work normally: the relay work, " COM" and "Normal Open" terminals closed, as shown.



- If need to receive the " disconnection" signal when no power supply connection or fault,alarm signal wire should connect at "COM" + " Normal Open" Terminal ;
 - If need to receive the "closed" signal when no power supply connection or fault,alarm signal wire should connect at "COM" + " Normal Close" terminal.
- registered installer. Once found, we are not warranty.

Notice

- The part of material of products is PC(like lamp cover and lamp shell), so it cannot direct or indirect touch the organic solvent, such as industrial alcohol, banana oil, isopropyl alcohol, carbon tetrachloride, cyclohexanone and so on, otherwise, the product will be corroision.
- Ensure that the power connection part is correct before using.
- Temperature rise when light working is normal phenomenon.
- Please do not open any components inside by yourself.
- This product is a sealed structure; Please do not be tampered with by anyone other than