

■ EOL-OB-LED(ETEL)

■ LED Elevated Obstacle Light(low intensity)



## Compliance with Standards

MH/T 6012  
ICAO: Annex 14, Volume I  
FAA: AC 150/5345-43  
NATO: STANG 3346

## Application/Use

Low-intensity obstacle light

## Features

- The LED light is featured by long working life, energy conversation, maintenance-free, which brings enormous economic benefits to customers
- Patent inverted-cone prism with high light availability ratio
- Precise beam angle range of zero to six degrees, which won't dazzle the pilots at close range
- Light distribution consistent with that of halogen lights, complying with FAA standards
- Strict LED color management to ensure premium color consistency
- Prism made of glass material, of which the surface is resistant to the sand erosion
- Distinctive inverted-cone edge of prism, which effectively prevent accumulation of rain and snow, wind and sand
- Proprietary driver circuit and thermal management solution, which greatly improves the reliability and service life of light fixture
- Tool free maintenance, easier to disassemble, and to replace the bulb
- The main body is made of aluminum alloy with anti-corrosion surface, all fasteners are made of stainless steel, suitable for harsh environment application
- High-precision parts and components machining to ensure all dimensional quality and precision
- Forged frangible pole with precise machining, complying with FAA standards, ensuring good stability and reliability
- IP66-grade protected from total dust ingress
- Level gauge can be placed directly on the top of prim to adjust the level angle of lighting fixture

## Order Information

EOL-OB-L-LED-XXX-X-R

Type \_\_\_\_\_  
EOL-OB-L=Low intensity Elevated Omni-directional Obstacle Light

Light Source \_\_\_\_\_  
LED = LED lamp

Power Supply \_\_\_\_\_  
220 = 220VAC  
024 = 24VAC  
012 = 12VAC  
066 = 6.6A

Operation Model \_\_\_\_\_  
A = without light control, not flashing  
B = with light control, not flashing  
C = with light control, flashing

Beam Color \_\_\_\_\_  
R = red

\* Please provide detailed installation info while ordering, spare parts and accessories should be separately ordered with specific order no.

## Installation

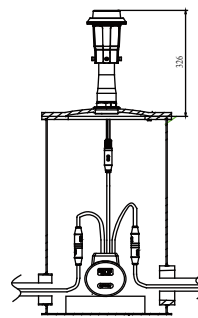


Fig 1. On 12" deep base.

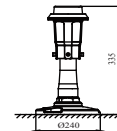


Fig 2. Flange direct mount

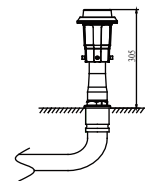
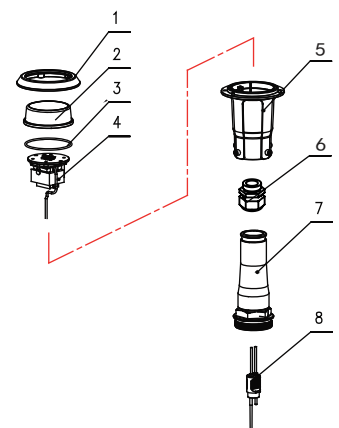


Fig 3. Stake mount

\* Please find detailed information in installation manual

## Structure

1. Upper cover
2. Prism
3. Light body gasket
4. Photoelectric assy
5. Light body
6. Waterproof gland
7. Frangible pole
8. plug



■ EOL-OB-LED(ETEL)

■ LED Elevated Obstacle Light(low intensity)

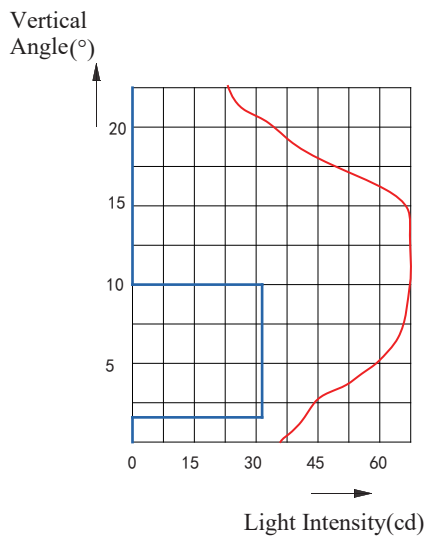
## Specifications

Light source: 1 red LED particle

Power: 5VA

IP Grade: IP66

## Photometric Data



EOL-OB-LED (Red)  
ICAO Table 6.3 Type B, FAA L-810

Application		Main Beam		Color	Required min. cd	Actual min. cd
		H	V			
EOL-OB-LED	ICAO Table 6.3 Type B/ FAA L-810	360°	0°— 10°	Red	32/32.5	35

## Packing Data

4 elevated lights

Size: 300×255×380 mm<sup>3</sup>

Unit net weight: 1.28 kg

Gross weight: 5.5 kg

## Spare Parts

Struc No.	Part Name	Order No.	Description
2	Prism	931116	Inverted-cone prism III
3	Body seal gasket	41114	O-ring 71*2.65
7	Frangible Pole	24211	Frangible coupling
8	Style 6 Plug	HT70603	Secondary Cable Connector-A6 Double core plug(Flat Type)-High Temperature resistance

## Accessories

	Description	Order No.
1	Flange (10 inches)	FL-10
2	Flange (12 inches) G2 Screw	FL-12-X-G2
3	Six angle wrench	54101
4	Isolation Transformer (15 W)	ITF-015-066
5	Secondary Calbe connector style 7	REC 7
6	Corrector	954211
7	Isolation Transformer Box	TJB-12