

■ PLG3

■ Cable Connector Style 3



Compliance with Standards

CAAC:MH/T 6009
FAA: AC 150/5345-26

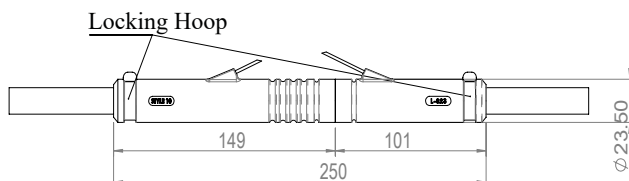
Application/Use

Without ground wire: Matched with REC9 (Style 9)
With ground wire (Equire PLG 13): Matched with REC 14 (Style 14)

Features

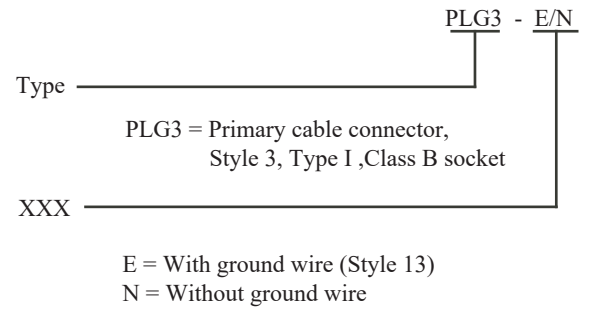
- Designed size catch FAA standard, can match any other standard connectors;
- Thermoplastic elastomers are used as external envelope materials, with stable insulation performance;
- The metal parts are pressed into a hot plastic lead wire, and molded into the mould once, with excellent anti leakage performance;
- The metal parts are made of high quality red copper and nickel plated surface with good conductivity;
- The metal parts are manufactured by high precision process and have good plug performance.
- Good impact resistance, fatigue resistance, tear strength, high friction resistance and other high performance mechanical properties;
- Excellent chemical properties, have good resistance for oil, solvents, water and alkali and other chemicals.;
- High and low temperature resistance, working temperature range: -55~65 C;
- The length of the lead wire can be customized to meet different needs of customers.

Packing Data



Unit net weight: 0.165kg

Ordering Information



* For special orders, please provide detailed instructions.

Specifications

Electrical performance grade: 25 A、5 kV

Working temperature: -55°C to 65°C

Insulation resistance: >100 GΩ

Corresponding cable outer diameter: Ø13.4~15.9 mm

Corresponding cable copper core: 6 mm²