

Airsafe

■ PTS-500

■ Precision Lighting Photometric Test System



Compliance with Standards

CAAC: AC-137-CA-2015-03
 ICAO: Annex 14, Volume I
 FAA: AC 150/5345-46

Application/Use

Navigation Light Fittings Photometric Test

Features

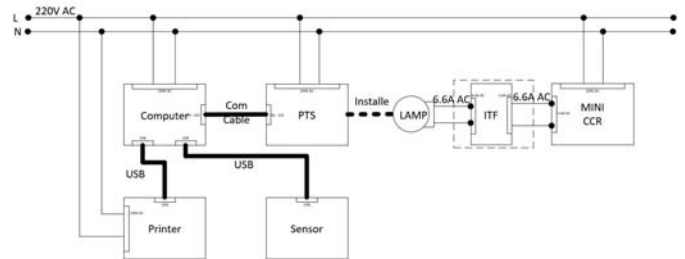
- Cradle mechanical structure reduces the size of instrument effectively;
- Adopt the way of continuous walking for light without damaging the worm;
- Adopt the international adaptor ring to meet the general requirements of international manufacturers;
- Use special driver circuit and matched electric motor to reduce the operating noise and operate with 0.01° high precision step angle;
- Imported sensor can meet high-accuracy tests of intensity and chromaticity;
- Horizontal and vertical 360 degree motion can be achieved;
- The shade cover design can effectively reduce the environmental impact;
- All interfaces use aviation connectors for easy operation and plug;
- Multiple software functions with friendly interface, easy to manipulate;
- Login with password, good protection on photometric data;
- Complete light fittings information, users can increase or decrease the light fittings;
- System provides multiple test speed in order to fit all types of light fittings test;
- The system has elevated installation function to test elevated light fittings;
- The function of test remaining time displayed to make the software more humanized;
- Test notes can be added any time during test to improve the readability;
- The data of the tested light fittings can be observed intuitively with the color block diagram;
- Provide high-speed five point test data to test the light fitting with high speed;
- Printable test report, easy to save and exchange important photometric test information;
- Can export data in excel format, convenient for data post-processing;
- Practical query function.

Ordering Information

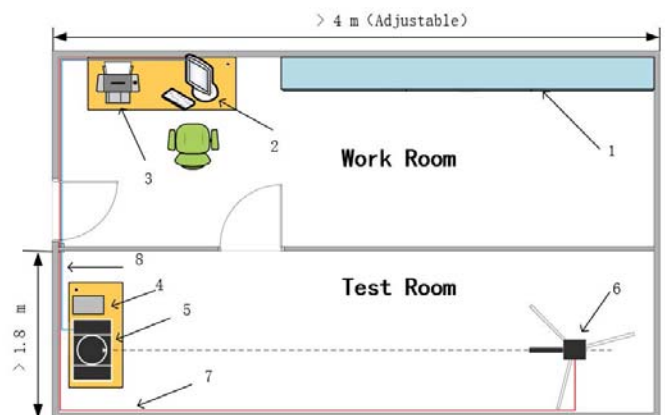
Type PTS-500
 PTS = Precision lighting
 photometric test system
 Model _____
 500=CL-500

* Spare parts and accessories should be ordered separately specific with order no.

Installation



System Deployment



- | | |
|------------------|-------------|
| 1 Shelf for Lamp | 5 PTS |
| 2 Computer | 6 Sensor |
| 3 Printer | 7 USB |
| 4 Mini CCR | 8 Com Cable |

Please find detailed information in installation manual

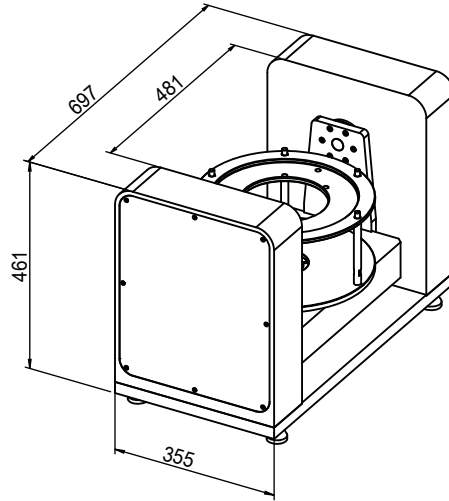
PTS-500

1
2

Technical Data

- Test criteria: ICAO and FAA
- Test tolerance: <5%
- Test distance: within 10m (Edge light test distance 1 m)
- Measuring tolerance: < ±2%
- Measuring repetitive tolerance: < 1%
- 4 shifts of automatic range of photometric sensor
- Installation tolerance of optical center: < 0.1°
- Calibration accuracy: < 0.05°
- Load of light fittings: < 18kg
- Regular working noise intensity: < 38dB
- Ambient temperature: -10 ~ 45°C
- Rotation repeated accuracy: < 0.1°
- Rotation cumulative tolerance: < 0.2°
- Rotation range in horizontal direction: -180° ~ 180°
- Rotation range in vertical direction: -90° ~ 90°
- Velocity of wheel in horizontal direction: 0.5°/s, 1°/s, 2°/s
- Velocity of wheel in vertical direction: 0.5°/s, 1°/s, 2°/s
- Maximum power output of MINICCR: 350W
- Current control accuracy: <±0.1A
- Current stability: <3%
- Input voltage range: 110-230VAC

Structure



Test Bed

Spare Parts

| No. | Name of the Spare Parts | Order Number |
|-----|--|-----------------|
| 1 | Photometric Test Table (Accessories) - Test-bed Calibrator | 62060 |
| 2 | Dimming Power Supply (Type I-400W) (Assy) | MINCCR-SCR-400W |
| 3 | Photometric Test Table H260 | 62000 |
| 4 | Process Table | 62090 |
| 5 | Laser Color Printer | HP CP2025 |
| 6 | Photometric Test Table (Accessories) - Computer (Host) | 620E1 |
| 7 | Photometric Test Table (Accessories) - Computer (Monitor) | 620E2 |
| 8 | Photometric Test Table (Accessories) - Elevated Light Fitting Test Frame - Taxiway Edge Light Fitting - LED | 62048 |
| 9 | Photometric Test Table (Accessories) - Elevated Light Fitting Test Frame - Runway Edge Light Fitting - Halogen | 6204D |
| 10 | Photometric Test Table (Accessories) - Elevated Light Fitting Test Frame - Runway Edge Light Fitting - LED | 6204C |
| 11 | Photometric Test Table (Accessories) - Elevated Light Fitting Test Frame - Unidirectional Light Fitting- Halogen | 6204B |
| 12 | Photometric Test Table (Accessories) -Elevated Light Fitting Test Frame -Unidirectional Light Fitting- LED | 6204A |
| 13 | Communication Cable (Adaptor to Aviation Plug) | 62072 |
| 14 | 3/8 Thread Conversion 1/4 Thread Connector | 62078 |
| 15 | Spectroradiometer CL500 | 620G0 |
| 16 | Type B USB Cord | 6207G |

* All rights reserved, subject to modifications

